

A compact and lightweight panel-mounted 2-channel resistance meter.

Ultra-pure water resistance (0 to 20 MΩ·cm) of semiconductor plants, etc. is measured with wide temperature compensation from -5 to 120 °C.

It is also possible to measure near the hot water sterilization process of ultra-pure water.

Displays the transmission output (DC 4 to 20mA 2 circuits), alarm output (2 circuits c contact), and sample water temperature.

It has an RS-232C digital output.

Features

- A compact DIN96 size
Small and light weight 96mm×96mm(DIN standard) ×171mm
- Can connect two detectors
With key operation, you can switch the other measurement value, the ratio of the two measurement values, the removal rate, or each display in order at 5-second intervals automatically.
- With cell constant adjustment function
If you replace the detector, you can make accurate measurements by adjusting the cell constants with key operations.
- Equipped with digital communication output RS-232C as standard.
- Two alarm points can be set
You can set two alarm points corresponding to the measured value, the ratio of the two measured values, and the removal rate. When an alarm occurs, a non-voltage contact is output along with an alarm display.



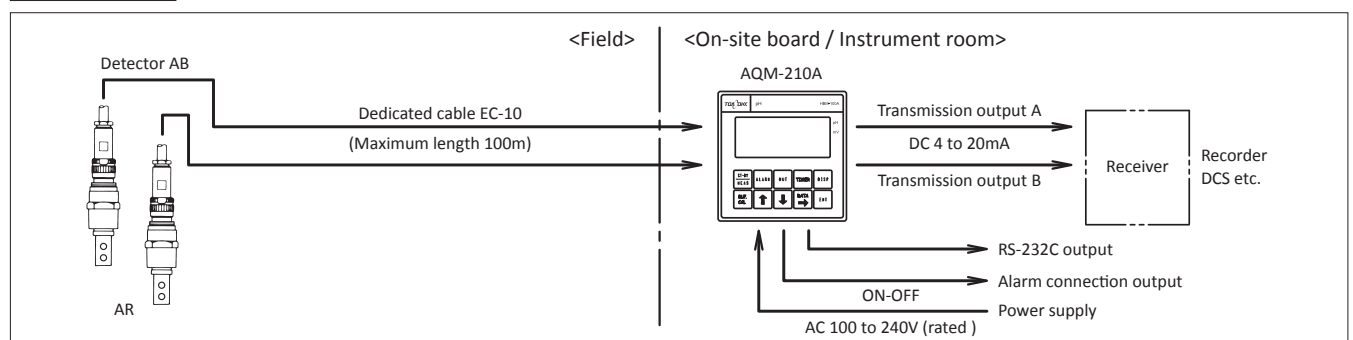
AR4-212



AR5-212

- The transmission output is an isolated DC 4 to 20mA, 2 circuits.
Since it is an input / output isolated type, it can be used with all externally connected devices.
- You can easily judge the quality of the detector and converter.
By disconnecting the detector connector and connecting the equivalent resistance unit instead of the detector, it is possible to determine that the problem is caused by either the detector side or the converter side (including the cable).

Configuration



Standard Specifications

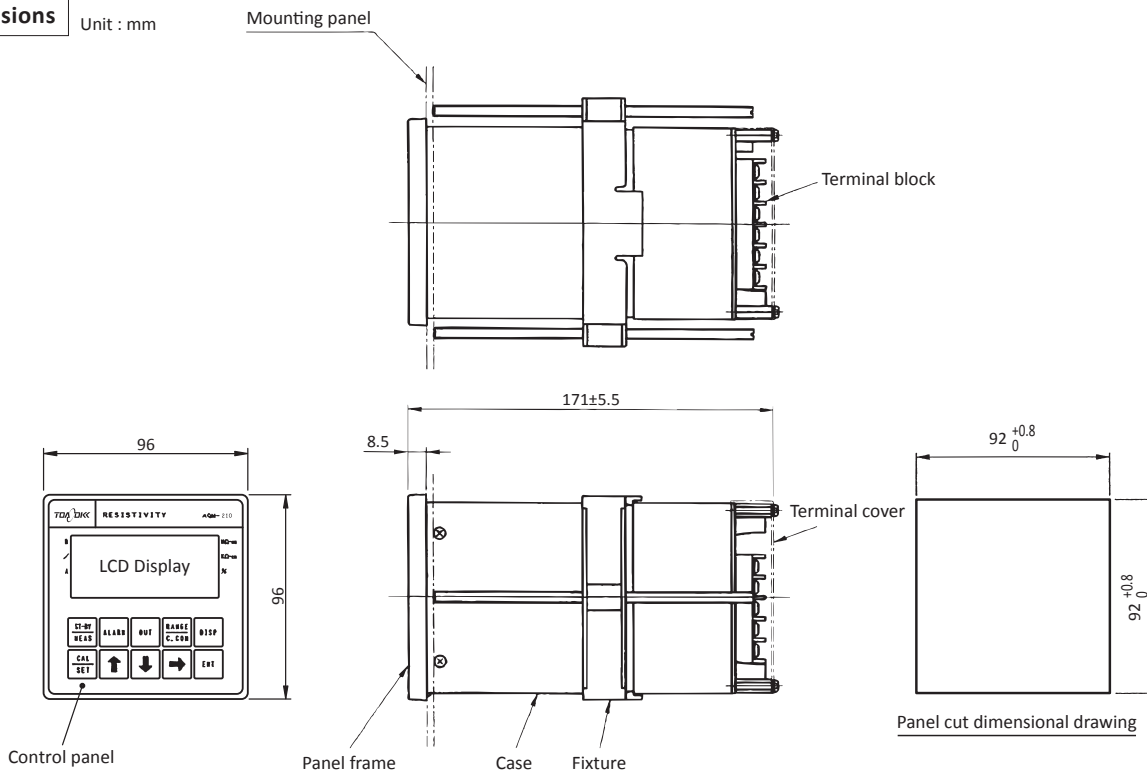
Product name : Panel type resistance meter
 Model : AQM-210A
 Measurement method : Metal 2-electrode type
 Measurement range :
 Display ...0 to 20M Ω ·cm (0 to 200k/2M/20M)
 [0.1/cm]
 Output ...0 to 25%/50%/100% of measurement
 range
 Can be set to 25% or more
 Temperature ...-5 to 120°C*1 *2, Resolution 0.1°C
 Display : Digital LCD
 Temperature compensation : Compensation range ...-5 to 120°C*3
 Temperature element...Thermister
 (Built-in detector)
 Transmission output : Insulated type, DC 4 to 20mA, Load
 resistance 650 Ω or less, 2 circuits, ratio
 of two measurements, exclusion rate
 Alarm function : Number of circuits...2 circuits
 Setting range...Measured value 0 to FS,
 Ratio of measured values
 Also supports removal rate
 Connection output ...Novoltage c
 connection
 Contact capacity...AC 250V 3A or DC
 30V 3A (Load resistance)
 Alarm display...Displayed when an
 alarm occurs

Number of detector : Up to 2
 connections
 Other function : Scale over display ...LCD display
 flashes
 Operation check of transmitter...
 Depends on the equivalent resistance
 unit
 Function : Linearity...Within $\pm 0.5\%$ FS (Without
 detector)
 Repeatability ...Within $\pm 0.3\%$ FS
 (Without detector)
 Power : AC 90 to 264V, 50/60Hz
 Power Consumption : Approx. 10VA
 Ambient temperature : -10 to 50°C, 95%RH or less
 / humidity
 Case : Material...Aluminum, plastic
 Installation method...Panel mounting
 Panel cut...92(W) \times 92(H)mm
 External dimension : 96(W) \times 96(H) \times 171(D)mm
 Weight : Approx. 0.8 kg

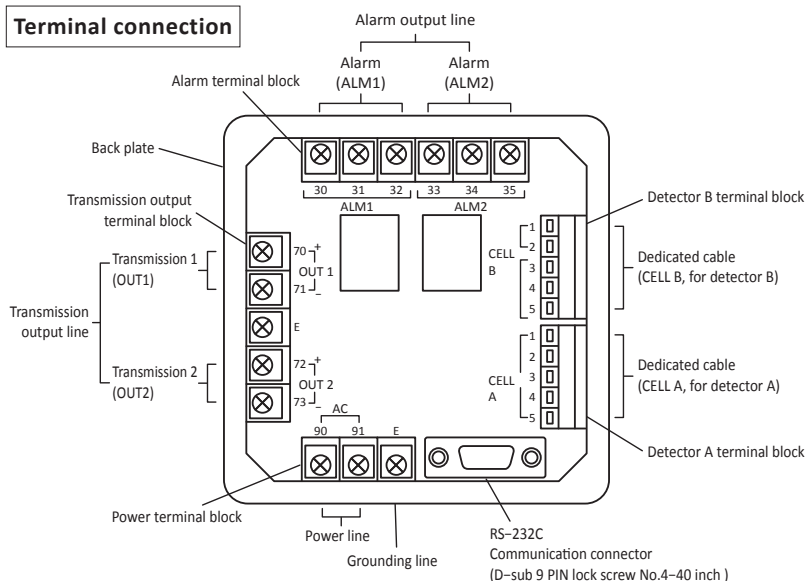
*1. It depends on the combination detector.
 *2. The temperature display is a rough guide
 *3. However, if the liquid temperature rises above 80°C,
 take measures to prevent sudden changes in
 temperature unevenness.

Dimensions

Unit : mm



Terminal connection



RS-232C Communication spec

Standard : JIS X5103 compliance
 Transmission method : Asynchronous Half-duplex communication
 Baud rate : 9600bps
 Data length : 8bit
 Parity check : Non-parity
 Stop bit : 1 bit.

Product code

| | | | | | | | | | | | | | | | | | | | | | | | |
|------------|---|---|---|---|---|---|---|---|---|---|---|---|---|---|---|---|---|---|---|---|---|---|---|
| AQM210A-1- | | | | | | | | | | | | | | | | | | | | | | | |
| | 1 | 9 | A | Z | 1 | 9 | Y | A | Z | 8 | 1 | 9 | 1 | 2 | A | B | Z | 0 | 1 | 2 | 3 | 4 | 9 |
| | | | | | | | | | | | | | | | | | | | | | | | |
| | | | | | | | | | | | | | | | | | | | | | | | |
| | | | | | | | | | | | | | | | | | | | | | | | |
| | | | | | | | | | | | | | | | | | | | | | | | |
| | | | | | | | | | | | | | | | | | | | | | | | |
| | | | | | | | | | | | | | | | | | | | | | | | |
| | | | | | | | | | | | | | | | | | | | | | | | |
| | | | | | | | | | | | | | | | | | | | | | | | |
| | | | | | | | | | | | | | | | | | | | | | | | |
| | | | | | | | | | | | | | | | | | | | | | | | |

*1. Readjustment is required except for the standard range of 0 to 20.00 MΩ·cm. The transmission output range can be set arbitrarily. However, a width of 25% or more of the measurement display range is required. Ex. 0 to 5, 0 to 10, 5 to 20MΩ for 0 to 20MΩ·cm

*2. Please prepare EC-10 type separately for the dedicated cable. The maximum length is 100m, but if it is 30m or more, it will be readjusted.

*3. In-house inspection is performed with high temperature samples of 60°C or higher.

*4. If it is not manufactured at the same time as the detector, please let us know the model name and serial number of the combination detector. If there is no detector, a resistor plug (for AR4) or a check resistor (for AR5) is not included.

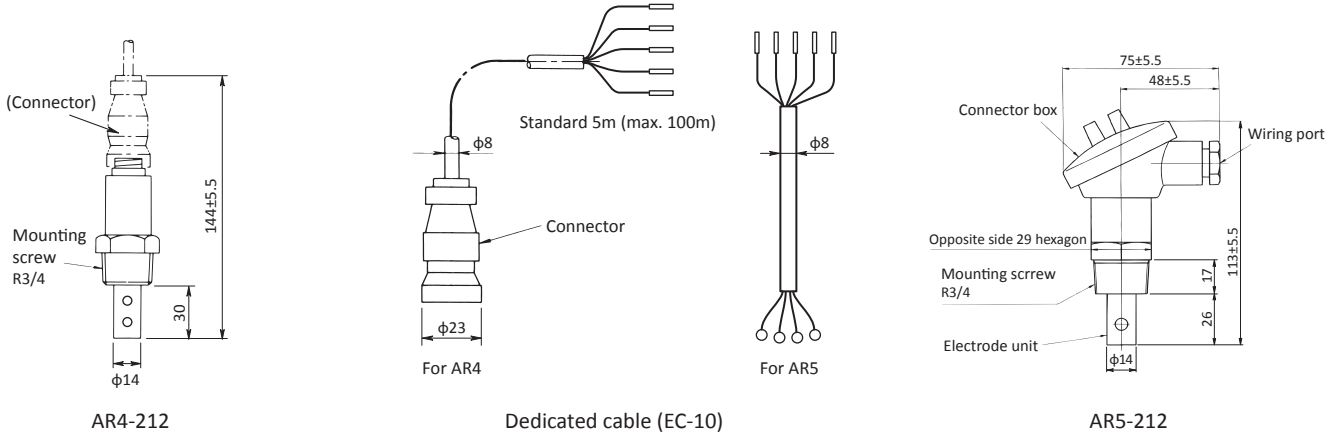
Combined detector

Standard Specifications

| | | | |
|--------------------------|--|-------------------|---|
| Product name | : Detector for resistance meter | Piping connection | : R 3/4 Screw in |
| Model | : AR4-212 or AR5-212 | Dedicated cable | : EC-10 |
| Cell constant | : 0.1/cm | | φ8, Standard length 5m (Maximum length 100m), |
| Thermometer | : Thermister (Enclosed in the inner pole) | | With connector (Drip-proof structure) (AR4), |
| Test solution conditions | : Temperature...0 to 100°C Pressure ...0.5MPa or less | | With connector box (Drip-proof structure) (AR5) |
| Material | : Electrode ...Titanium Bushing ...SUS316 (Teflon coating) Seal...Viton Connector...Plastic (AR4) Connector box...ADC-12 (AR5) | | |

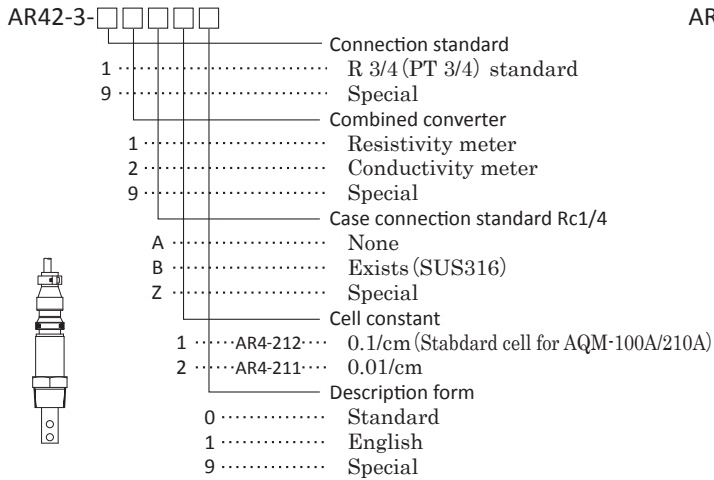
Dimensions

Unit : mm

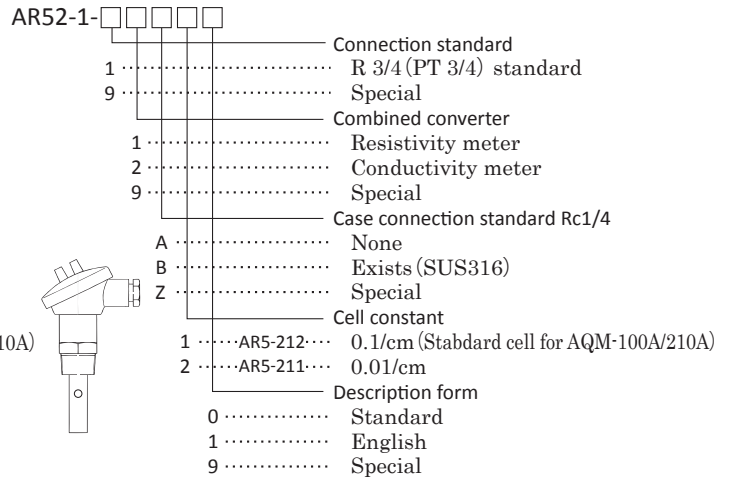


Product code

AR4-212 (connector type)



AR5-212 (connector box type)



DKK-TOA CORPORATION

Overseas Sales Division:
 DKK-TOA Corporation
 29-10, 1-Chome, Takadanobaba, Shinjuku-ku,
 Tokyo 169-8648 Japan
 Tel : +81-3-3202-0225 Fax : +81-3-3202-5685
 E-mail : intsales@dkktoa.com



Please read the operation manual carefully before using products.